

575 XP

570

575 XP EPA

570 EPA

Spare parts

Ersatzteile

Pièces détachées

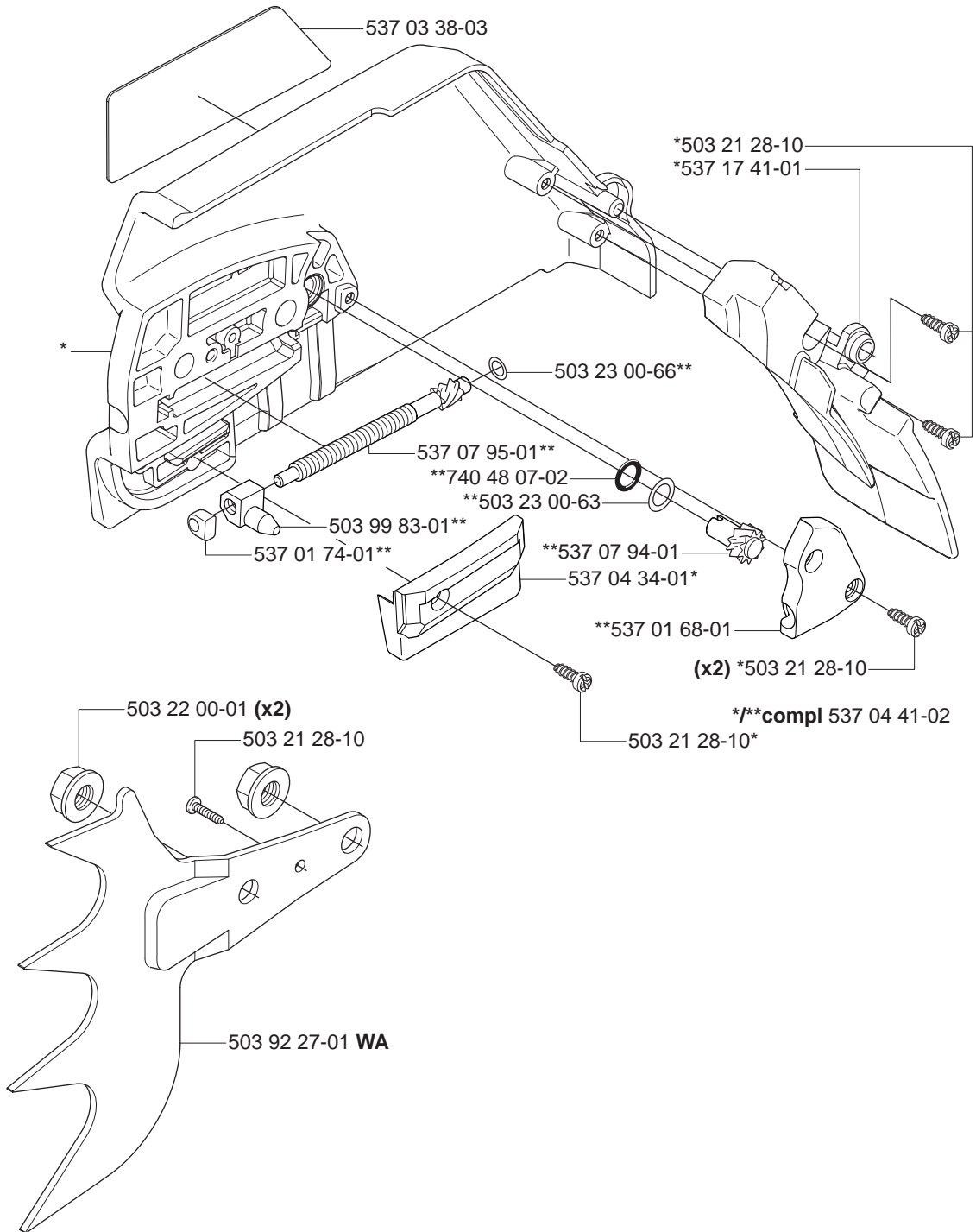
Reserve onderdelen

Repuestos

Reservdelar

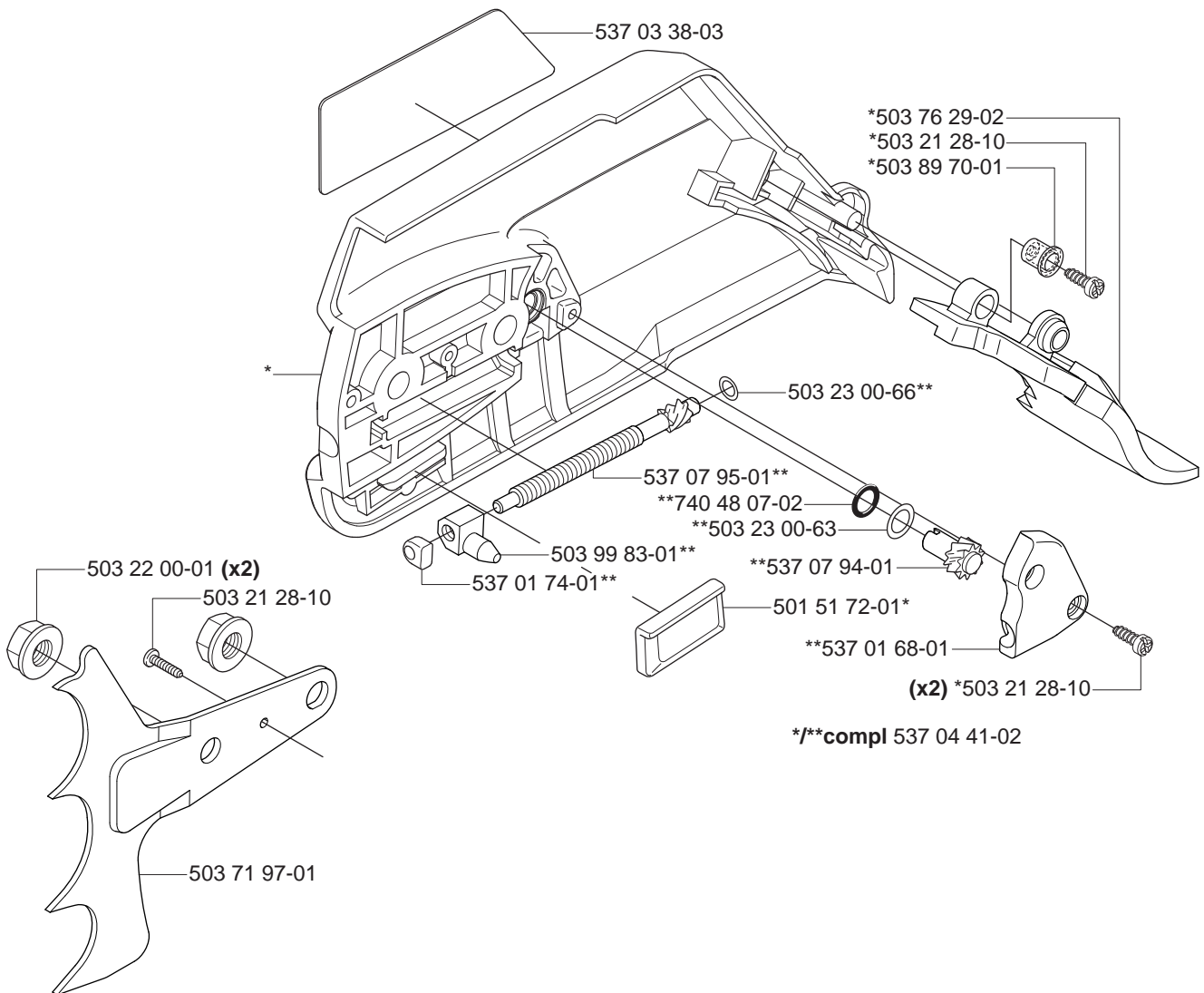
A

*compl 537 33 10-01 WA



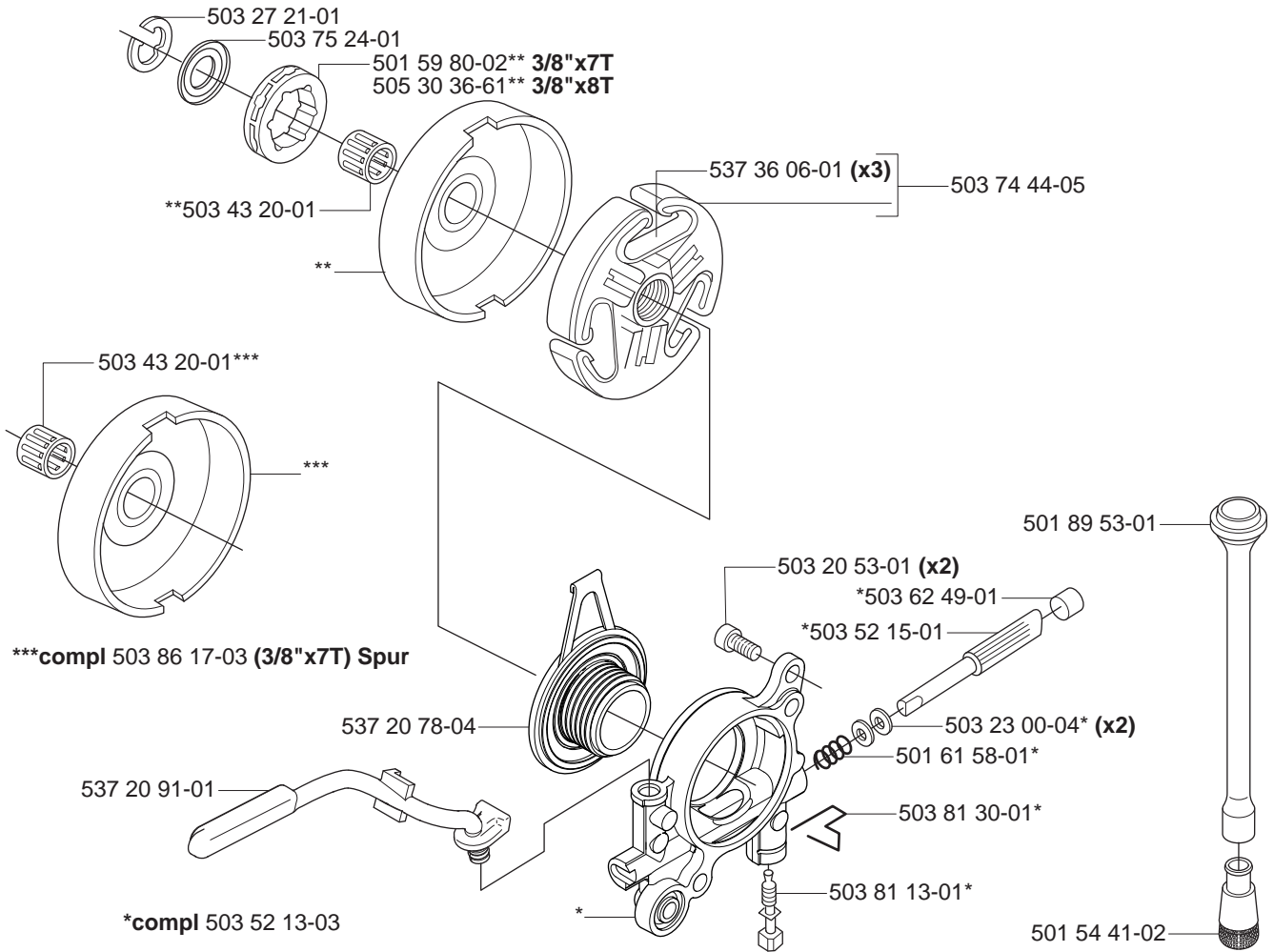
A

***compl 537 03 35-01 Std**



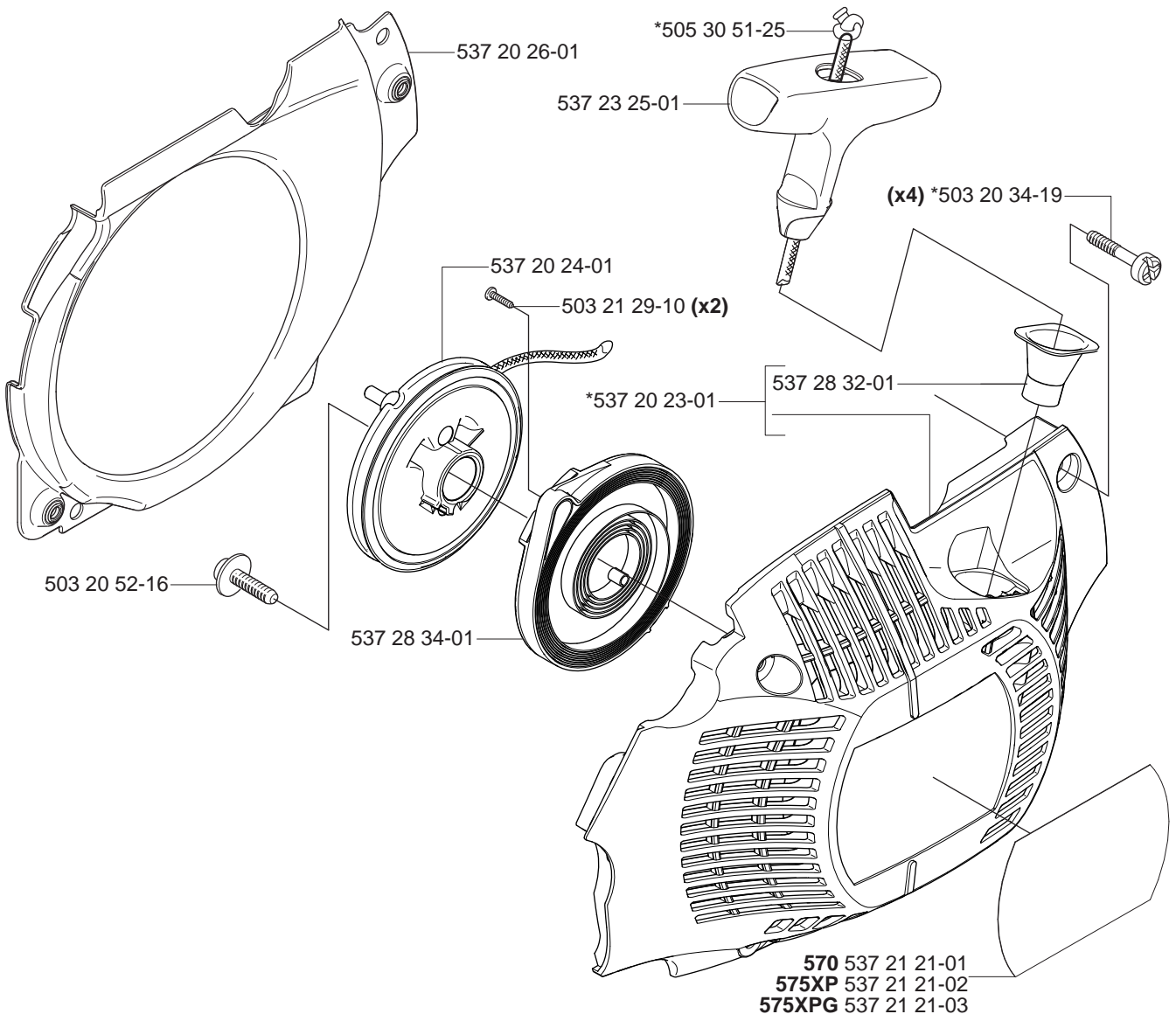
B

****compl 537 03 62-05 (3/8"x7T)**
****compl 537 03 62-06 (3/8"x8T)**

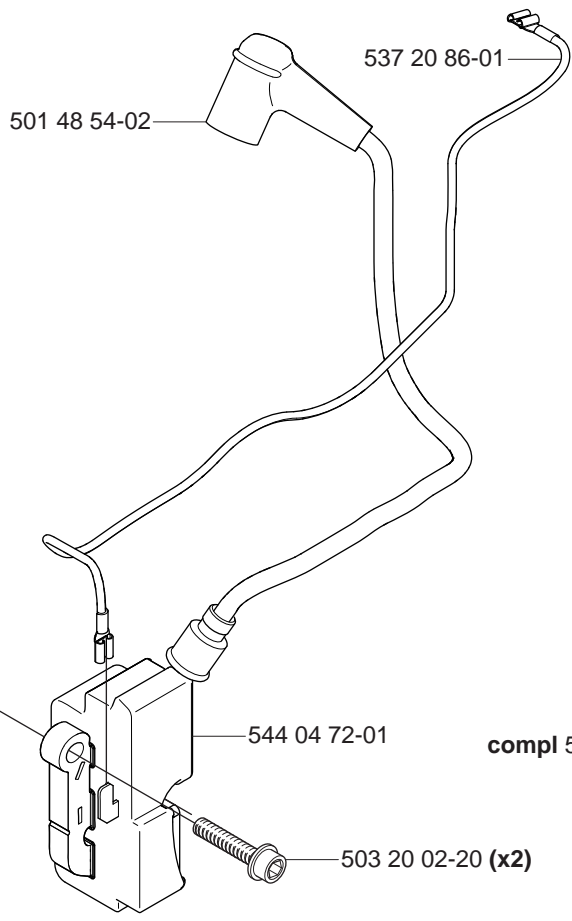


C

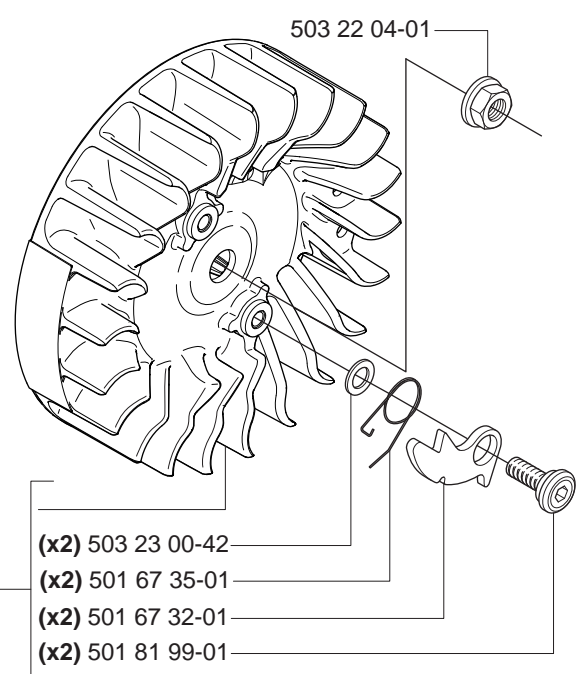
*compl 537 20 29-02



D



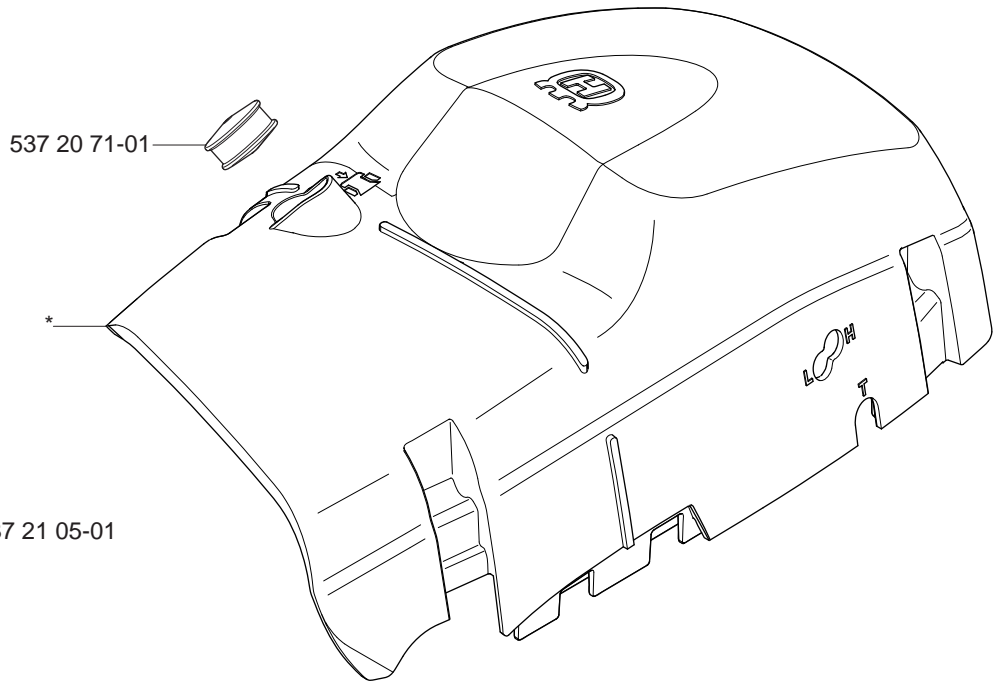
compl 537 20 96-01



E *compl 537 21 25-01



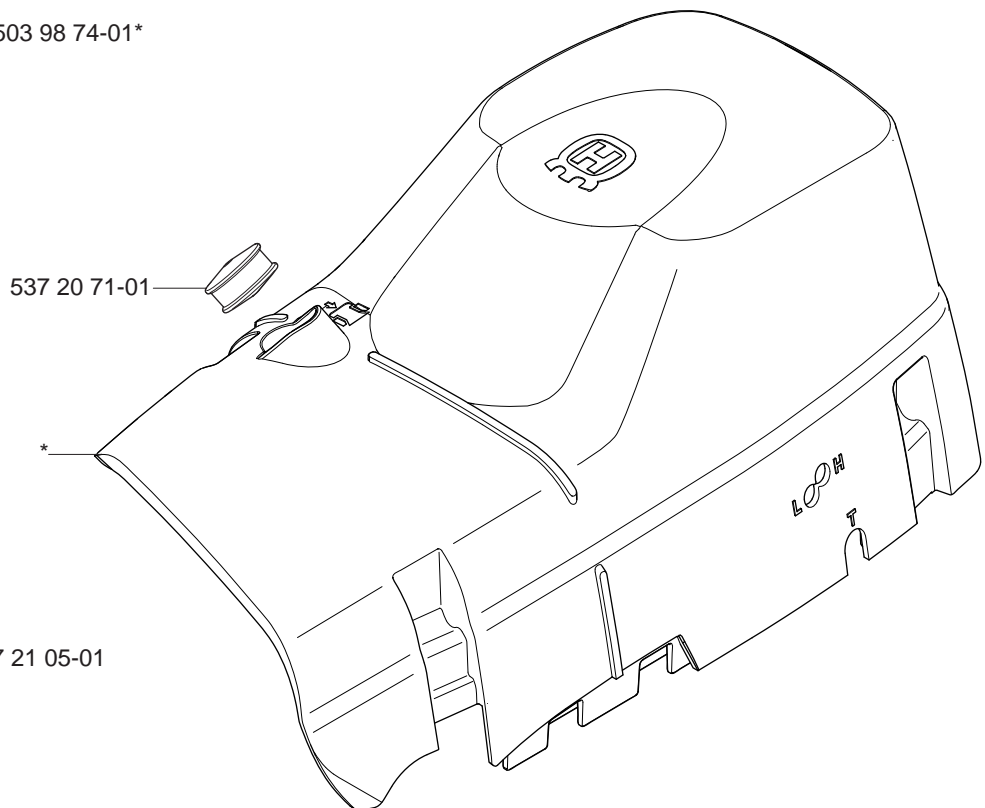
503 98 74-01*



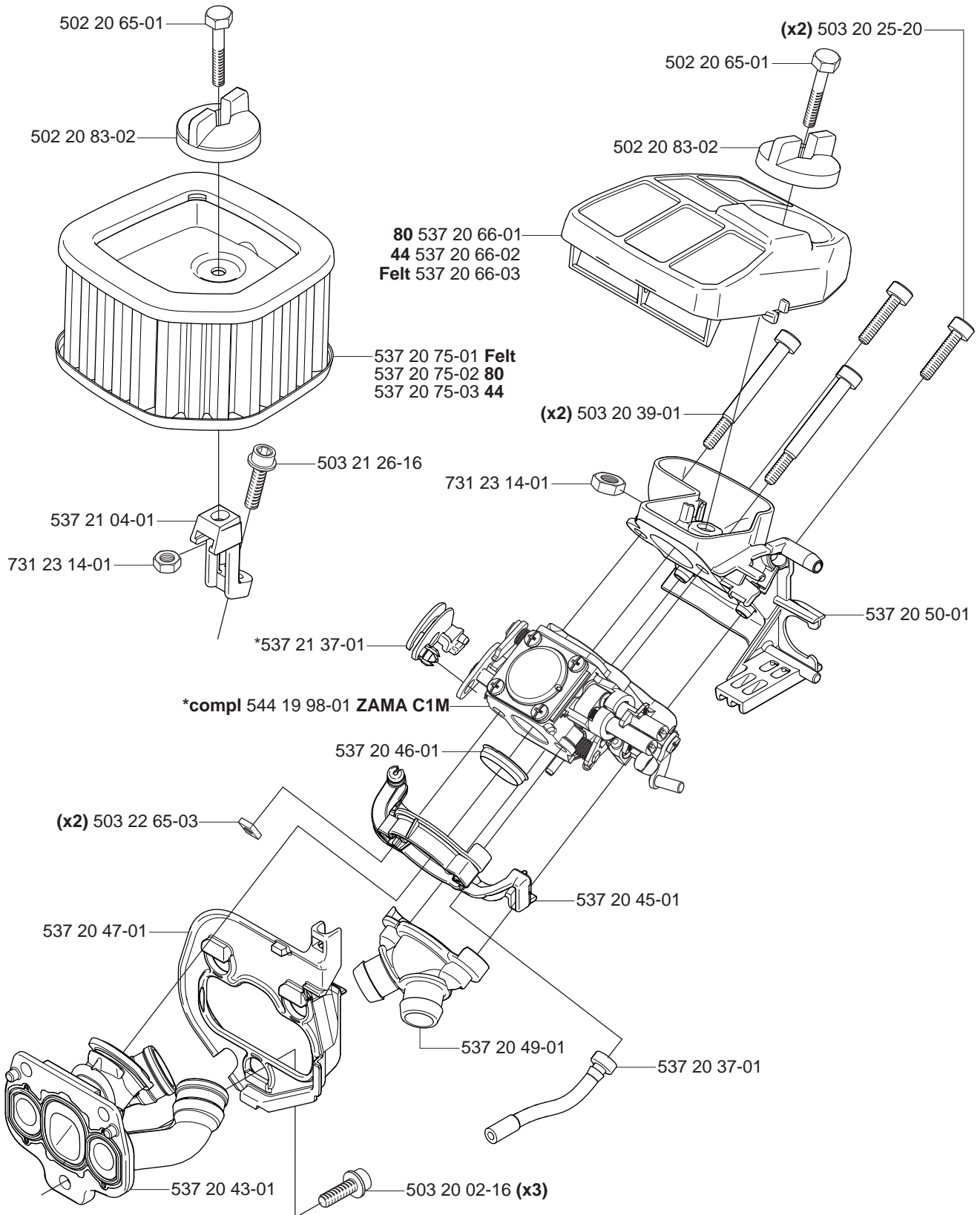
E *compl 537 21 25-02

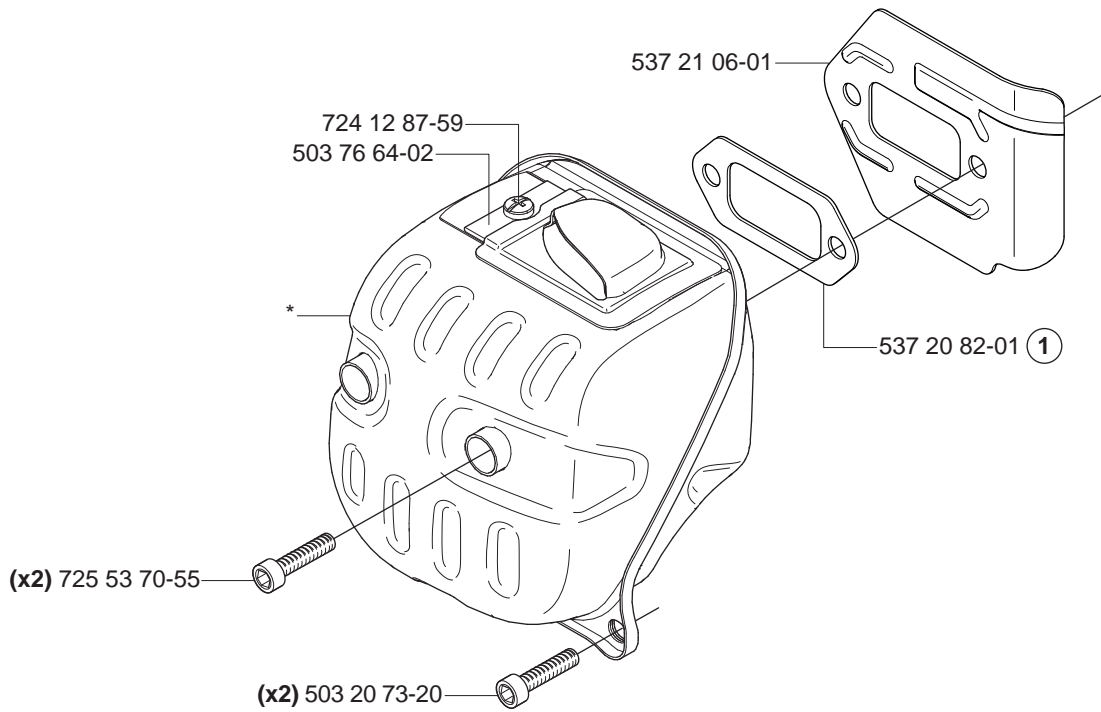


503 98 74-01*



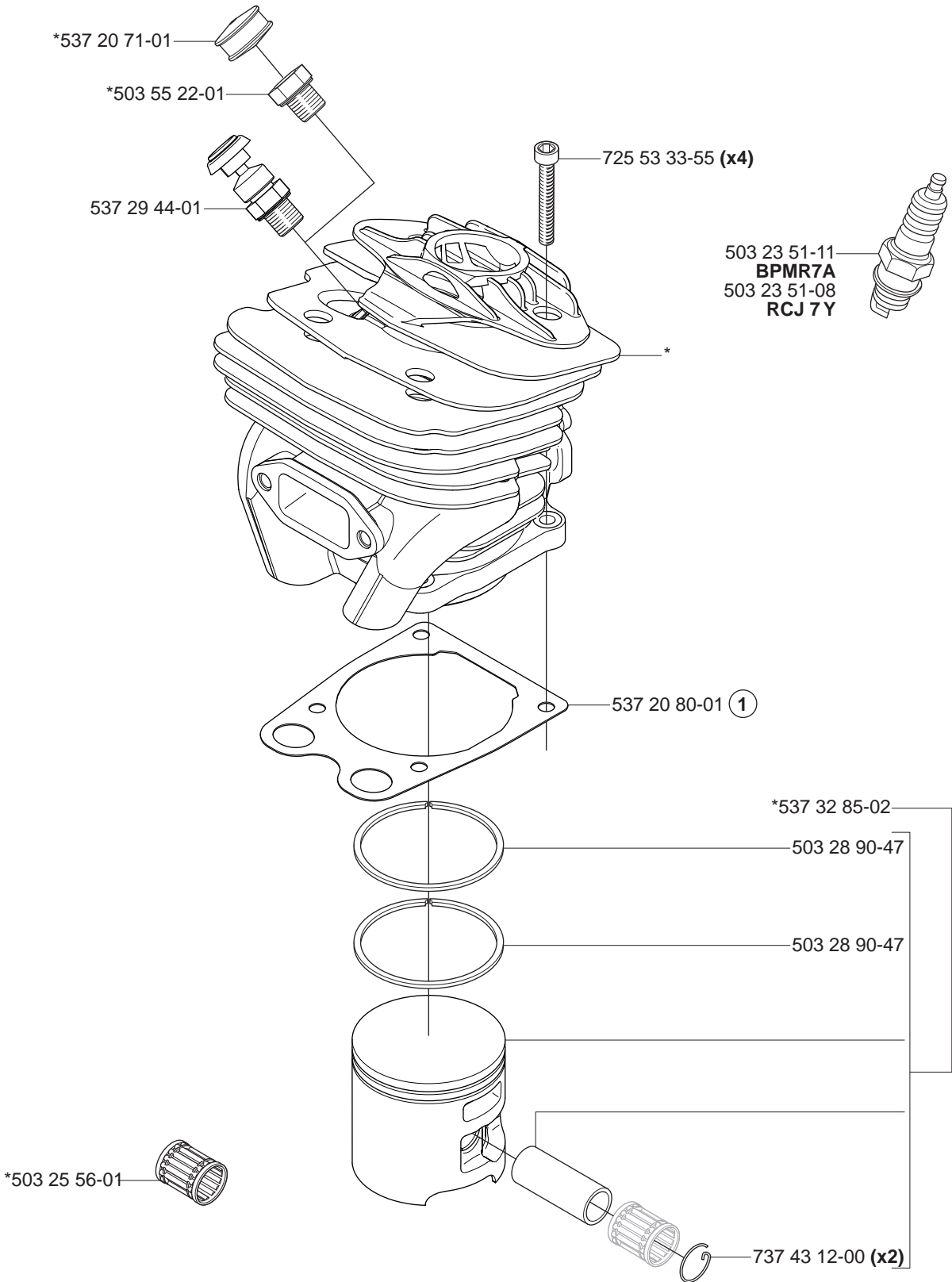
F





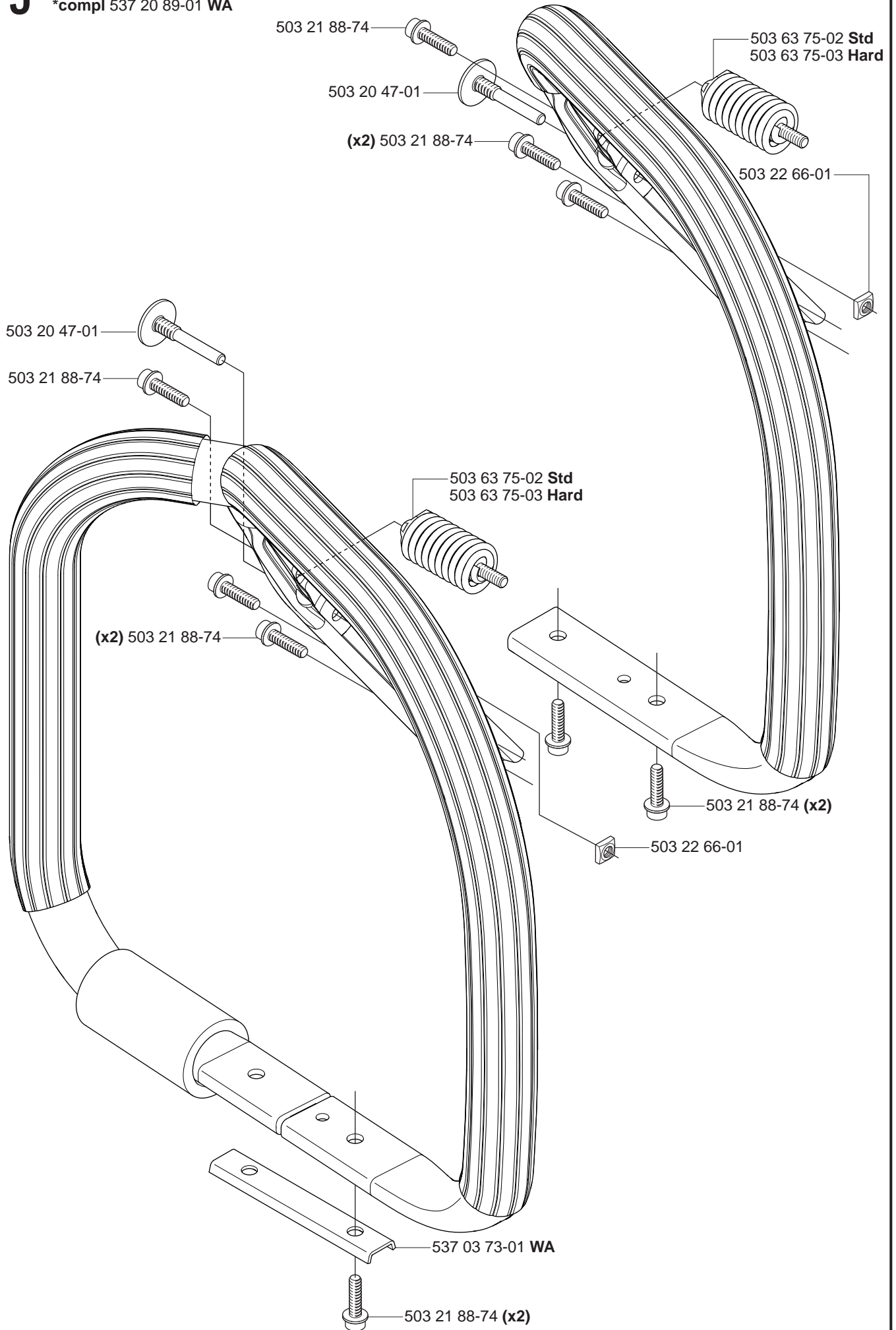
H

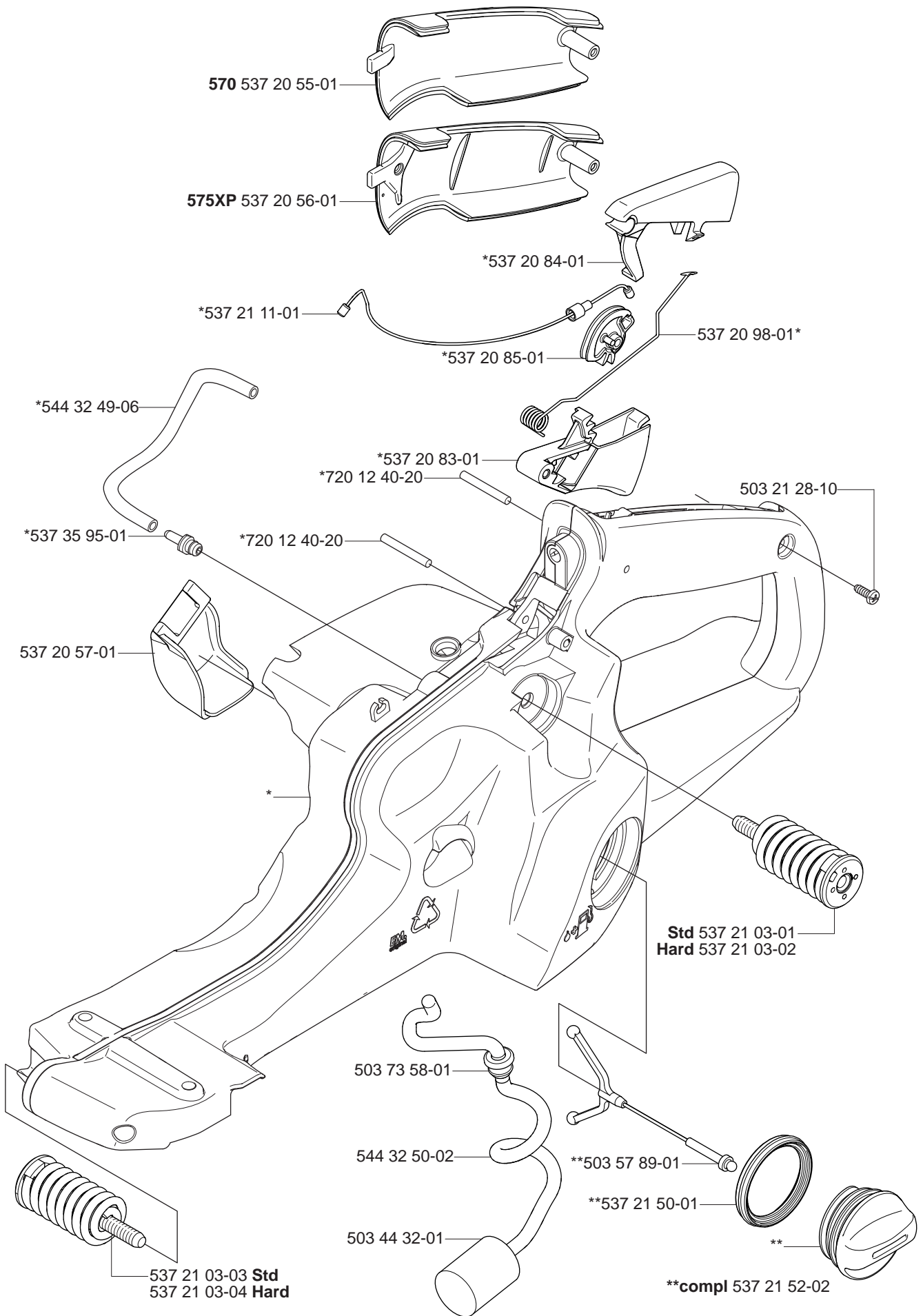
*compl 537 25 41-02 575XP



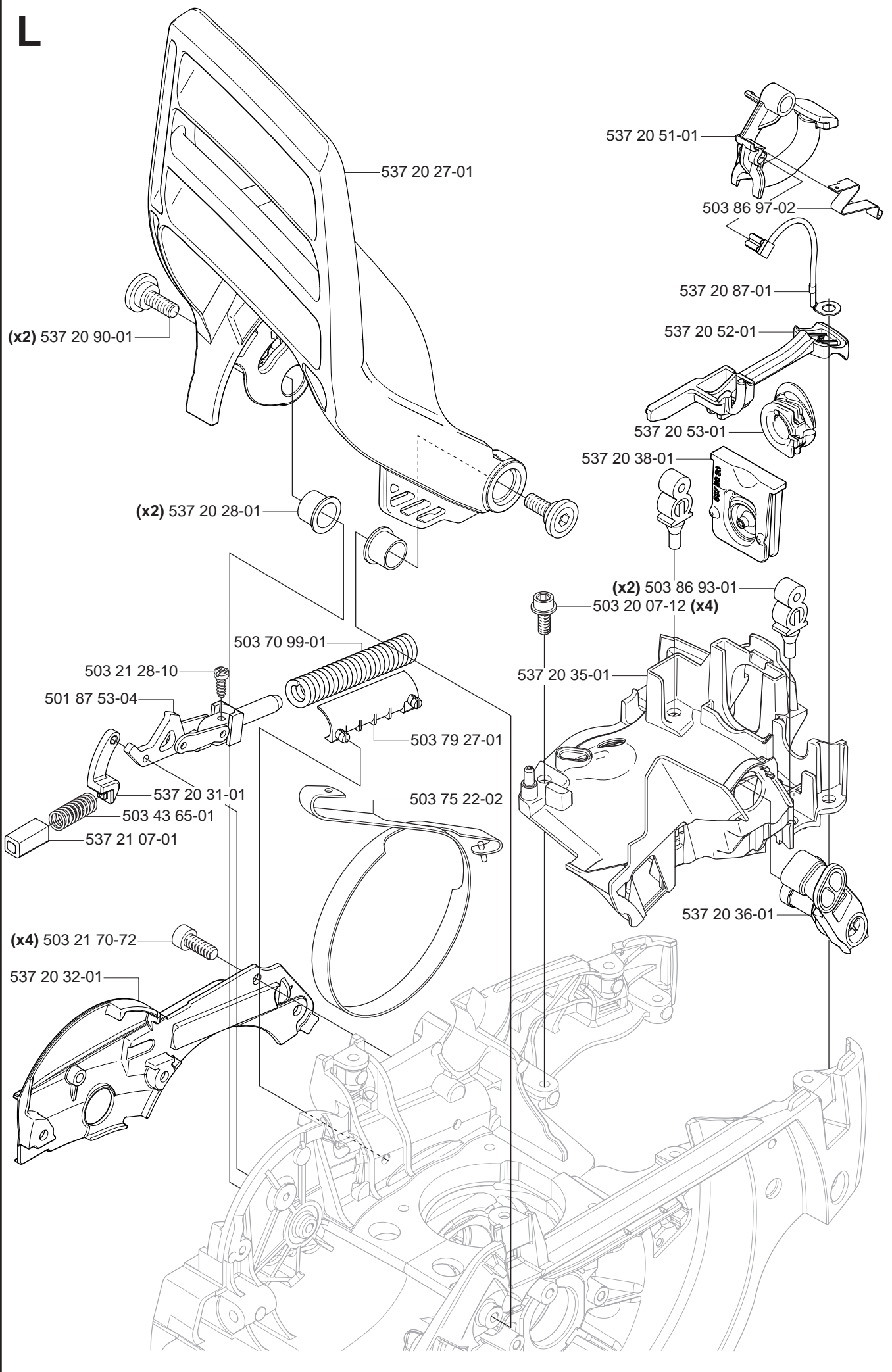
J

*compl 537 20 59-01
*compl 537 20 89-01 WA

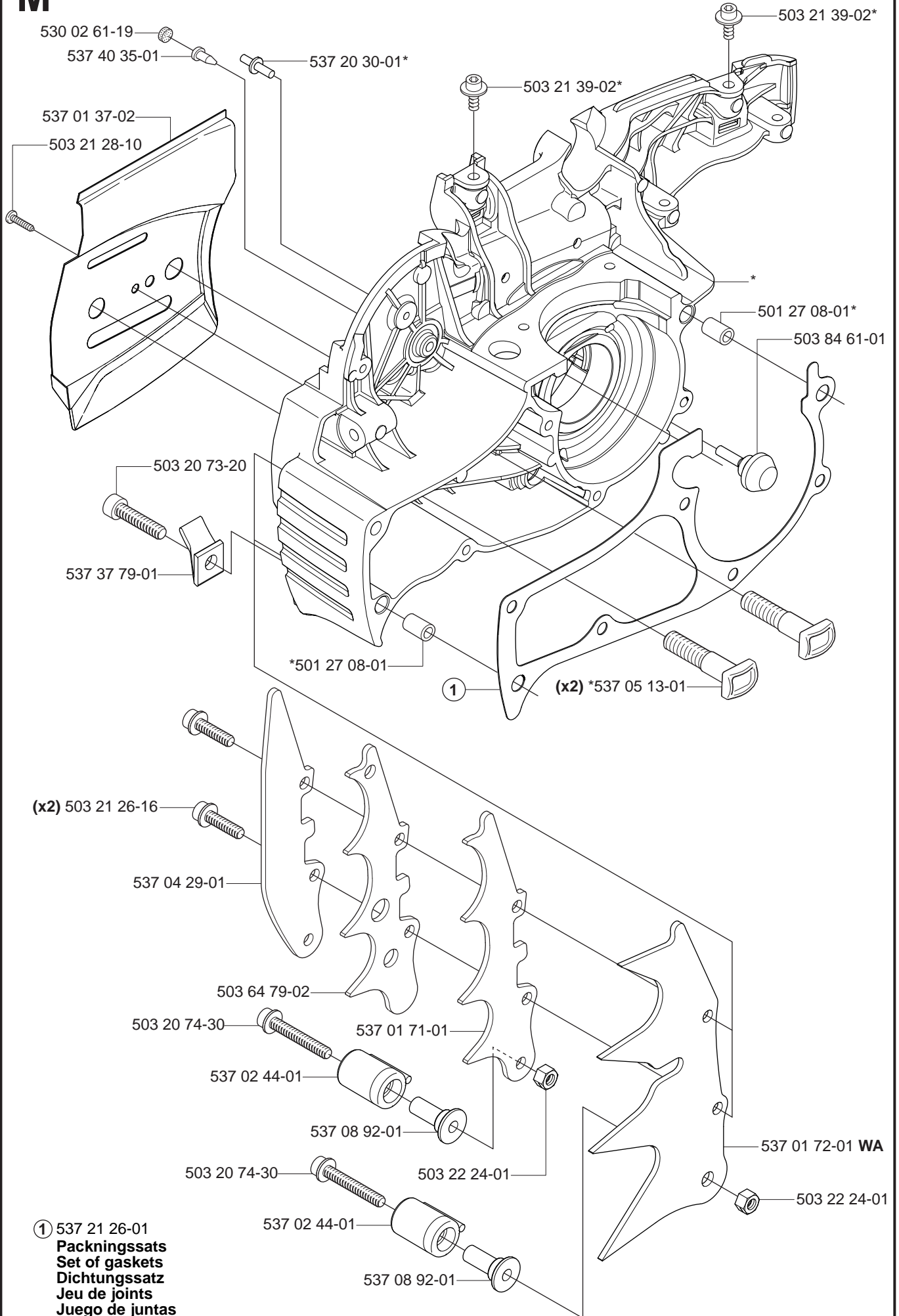




L



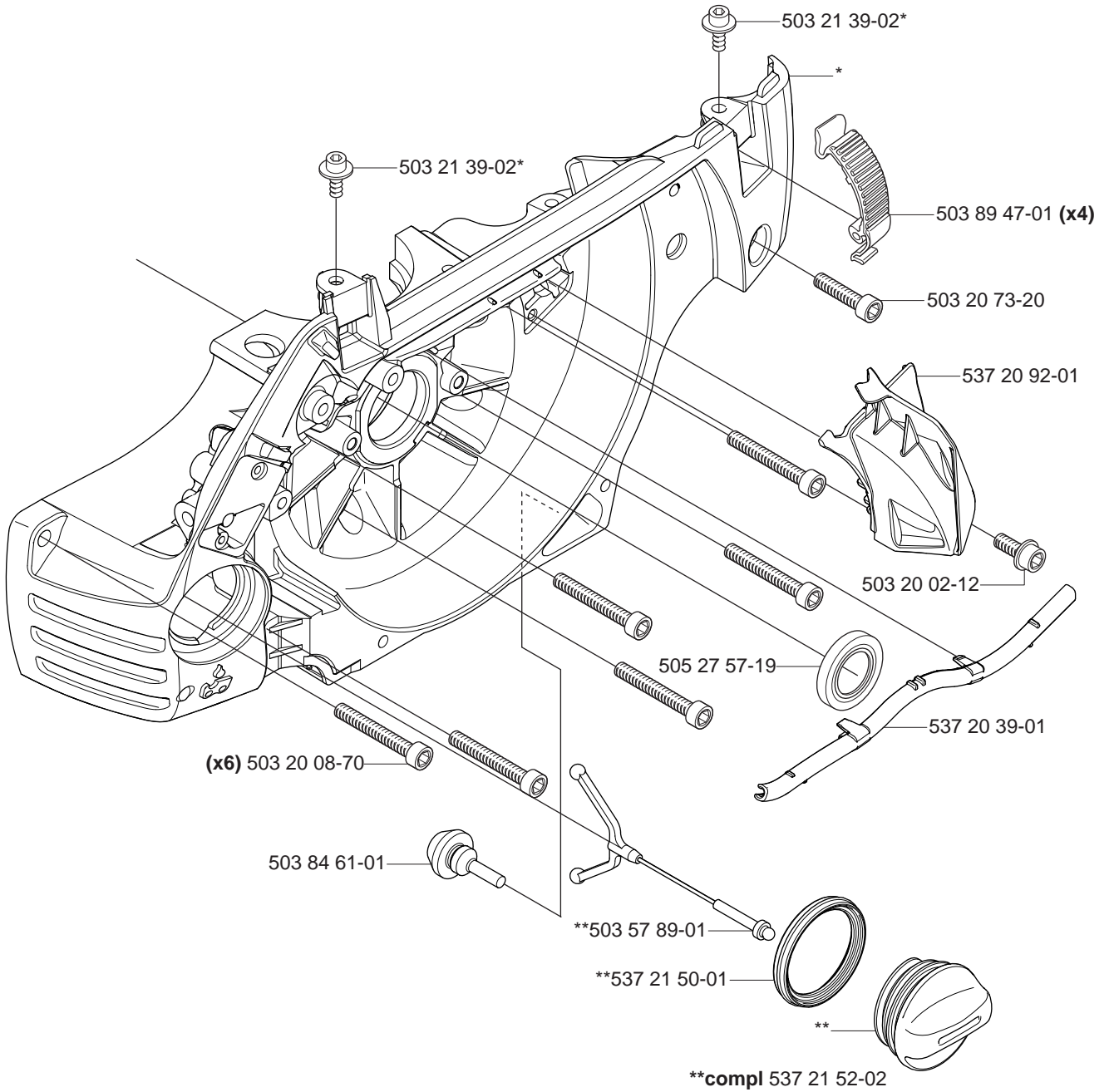
M *compl 537 20 93-04





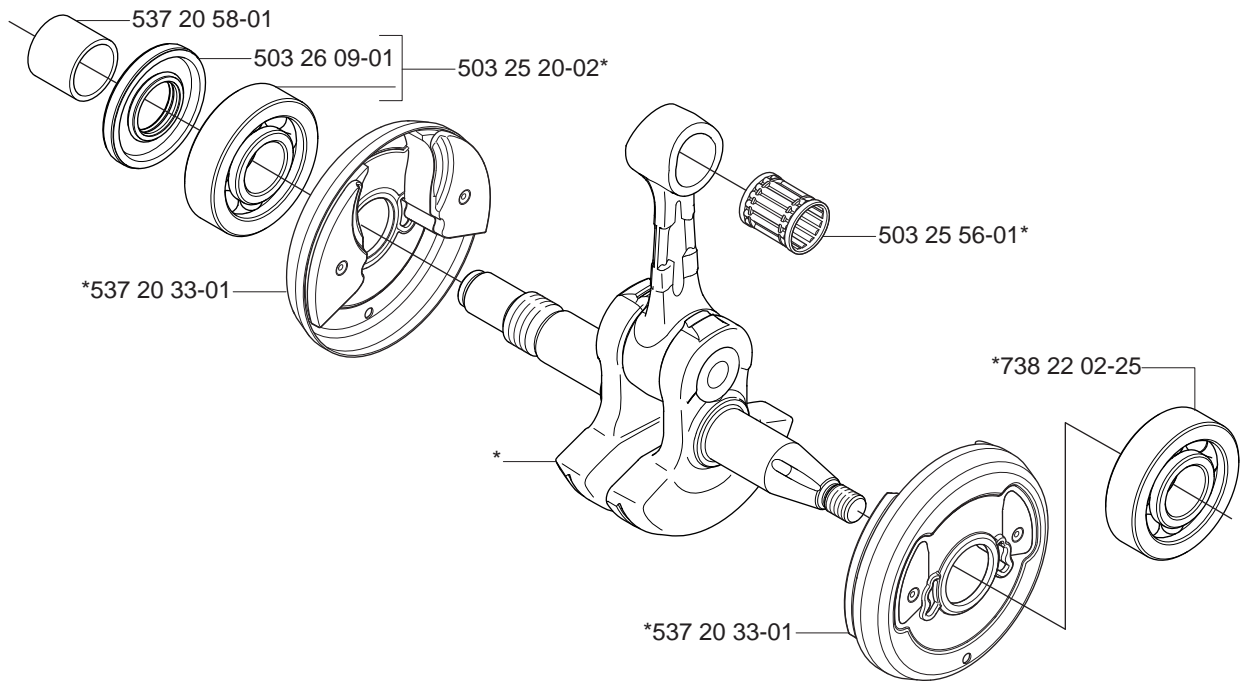
*compl 537 20 93-02

Correction 537 20 93-04

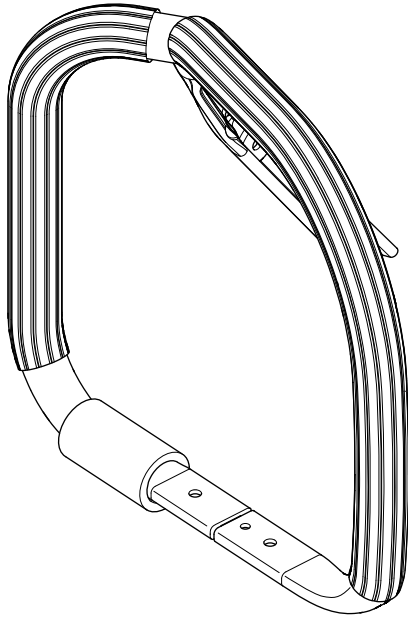


N

*compl 537 30 61-02



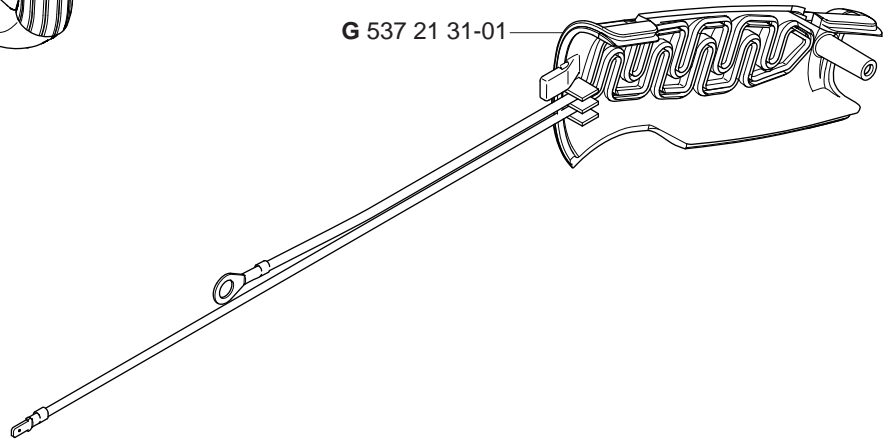
Q



compl 537 20 89-02 WA G



compl 537 20 59-02 G

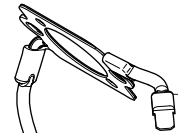
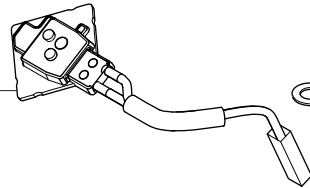


G 537 21 31-01



537 21 08-01

537 21 29-01

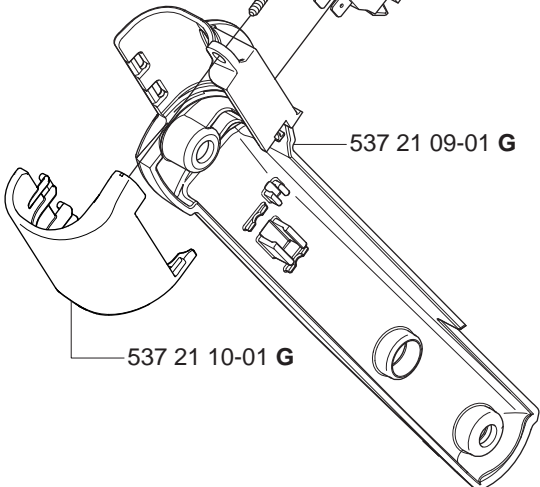


537 21 28-01

G 503 21 28-10

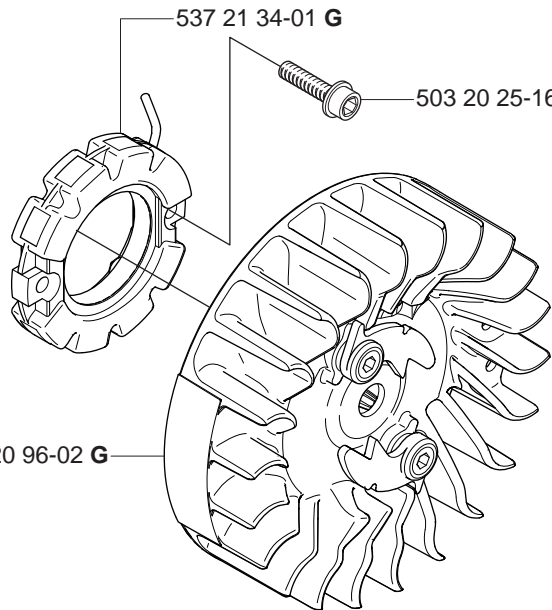


537 13 14-02 G



537 21 09-01 G

537 21 10-01 G

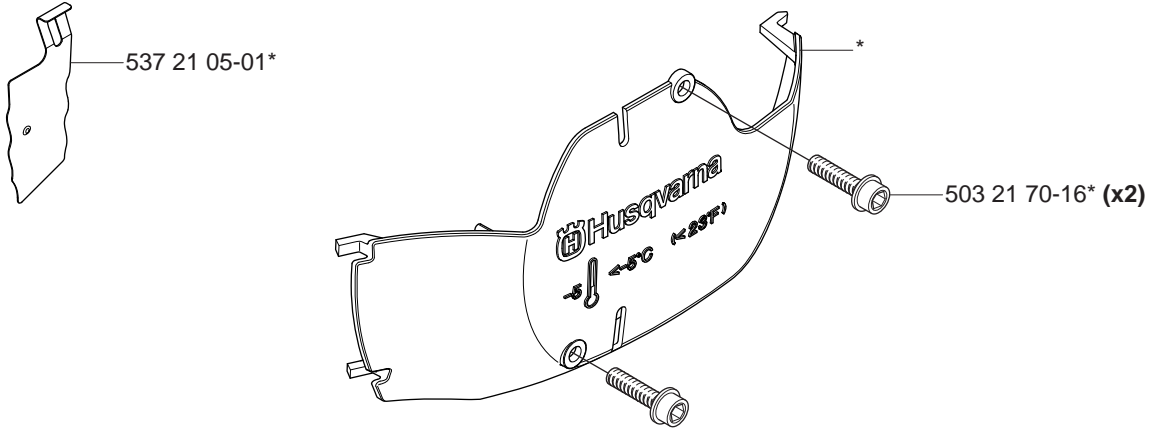


537 21 34-01 G

503 20 25-16 G (x2)

***compl 537 20 96-02 G**

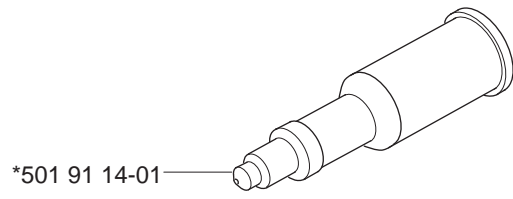
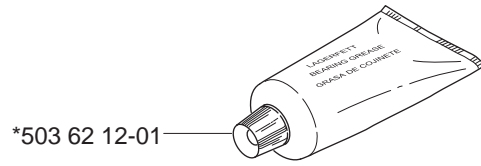
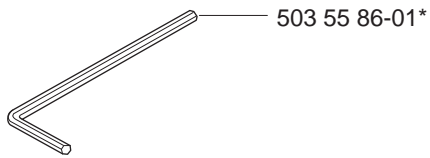
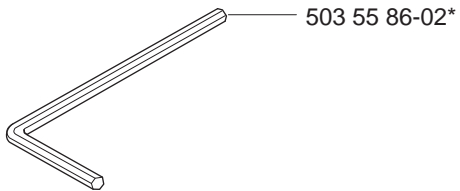
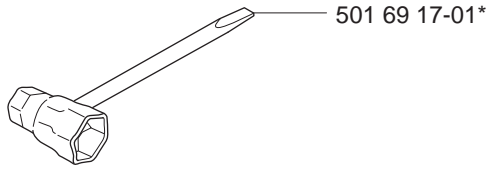
R WINTER KIT
*compl 537 21 24-01



S

Tillbehör
Accessories
Zubehöre
Accessoires
Accesorios

*compl 503 55 85-01



T



Up to 052400001

*537 04 03-01

